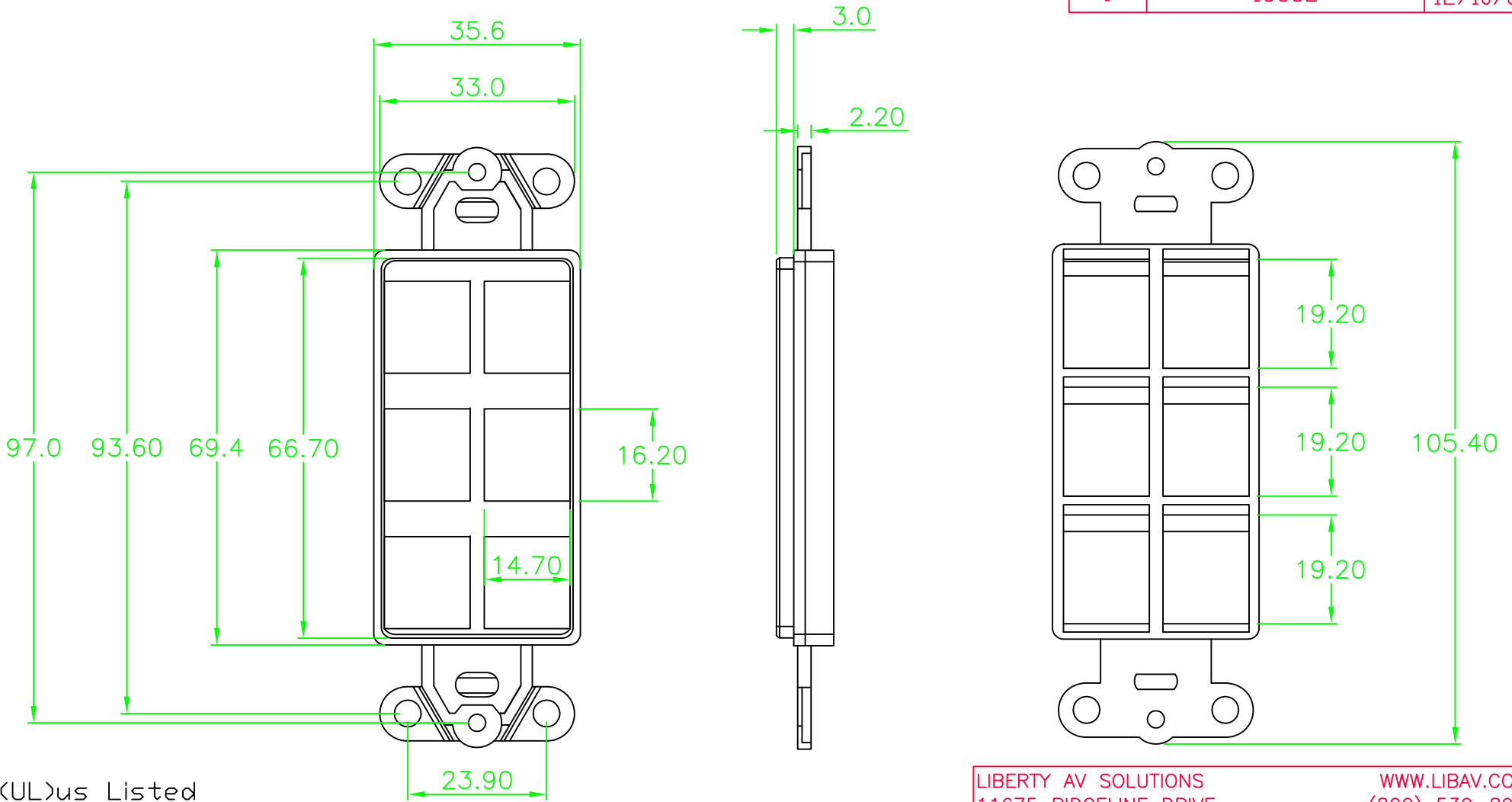


REV	DESCRIPTION	DATE
0	ISSUE	12/10/06



c(UL)us Listed  
 Communication Circuit Accessories  
 File E135640

LIBERTY AV SOLUTIONS  
 11675 RIDGELINE DRIVE  
 COLORADO SPRINGS, CO 80921

WWW.LIBAV.COM  
 (800) 530-8998

WJ-DEC6-AL	DECORATOR INSERT, 6 PORT ALMOND	ABS UL94V0
WJ-DEC6-IV	DECORATOR INSERT, 6 PORT IVORY	ABS UL94V0
WJ-DEC6-WH	DECORATOR INSERT, 6 PORT WHITE	ABS UL94V0
P/N	DESCRIPTION	MATERIAL

UNIT:mm	TITLE:	
SCALE: None	Faceplate Specification FP, SG, DEC	
UNLESS OTHERWISE SPECIFIED TOLERANCES: x ±.015 xx ±.010 xxx ±.005 ANGLE ± 1°	PART NUMBER:	DR. RP
	WJ-DEC6-XX	CH. RP
SHEET 1/1	DWG. #: LWC-AAA-00360	AP. RP